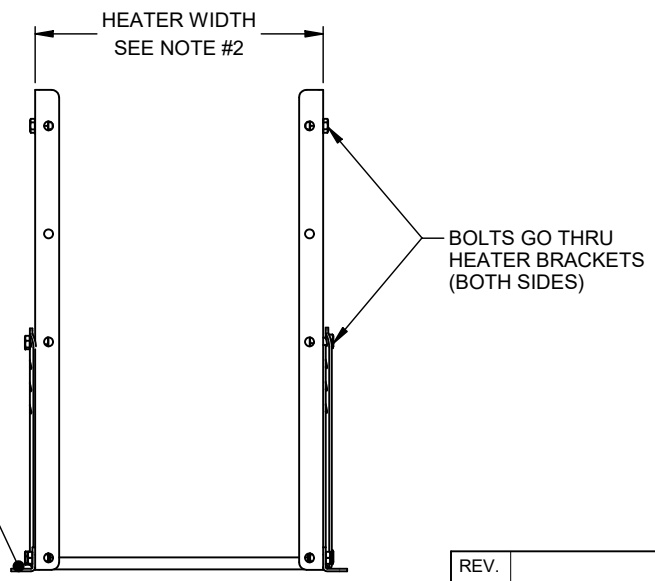
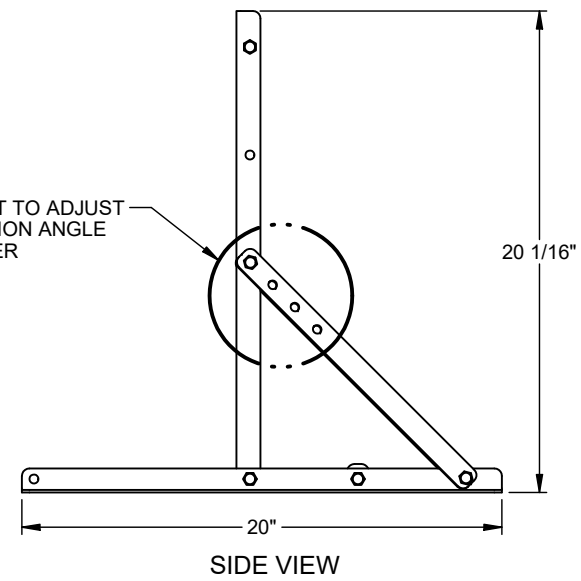
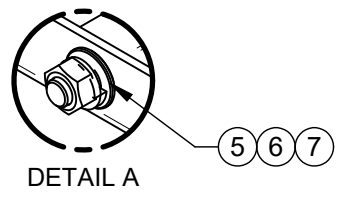
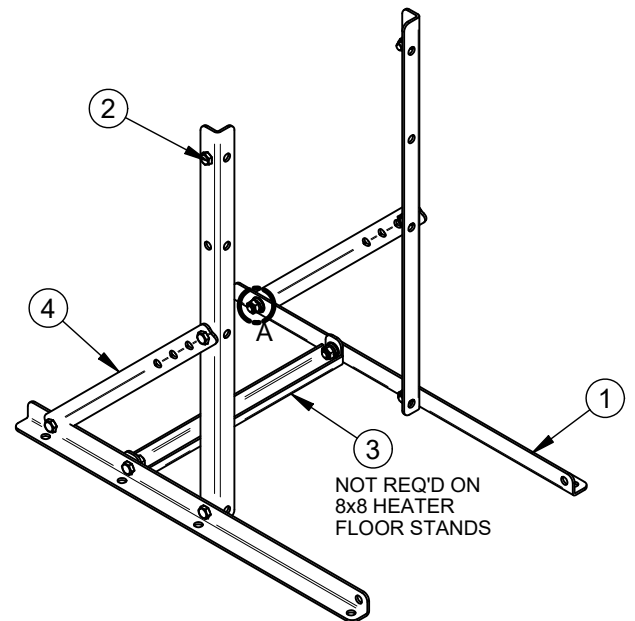


NO	DESCRIPTION	QTY
1	20" HORI. & VERT. SMALL FLOOR STAND ANGLE BRACKET	4
2	BOLT 5/16-18UNC x 3/4LONG, HEXAGON HEAD	10
3	12" C SHAPED SMALL FLOOR STAND CROSS BRACE	1
4	14" SMALL FLOOR STAND FLAT BRACKET	2
5	WASHER 5/16 S.A.E. PLATED	10
6	WASHER 5/16" SPLIT LOCK, PLATED	10
7	NUT 5/16-18 UNC HEXAGONAL	10



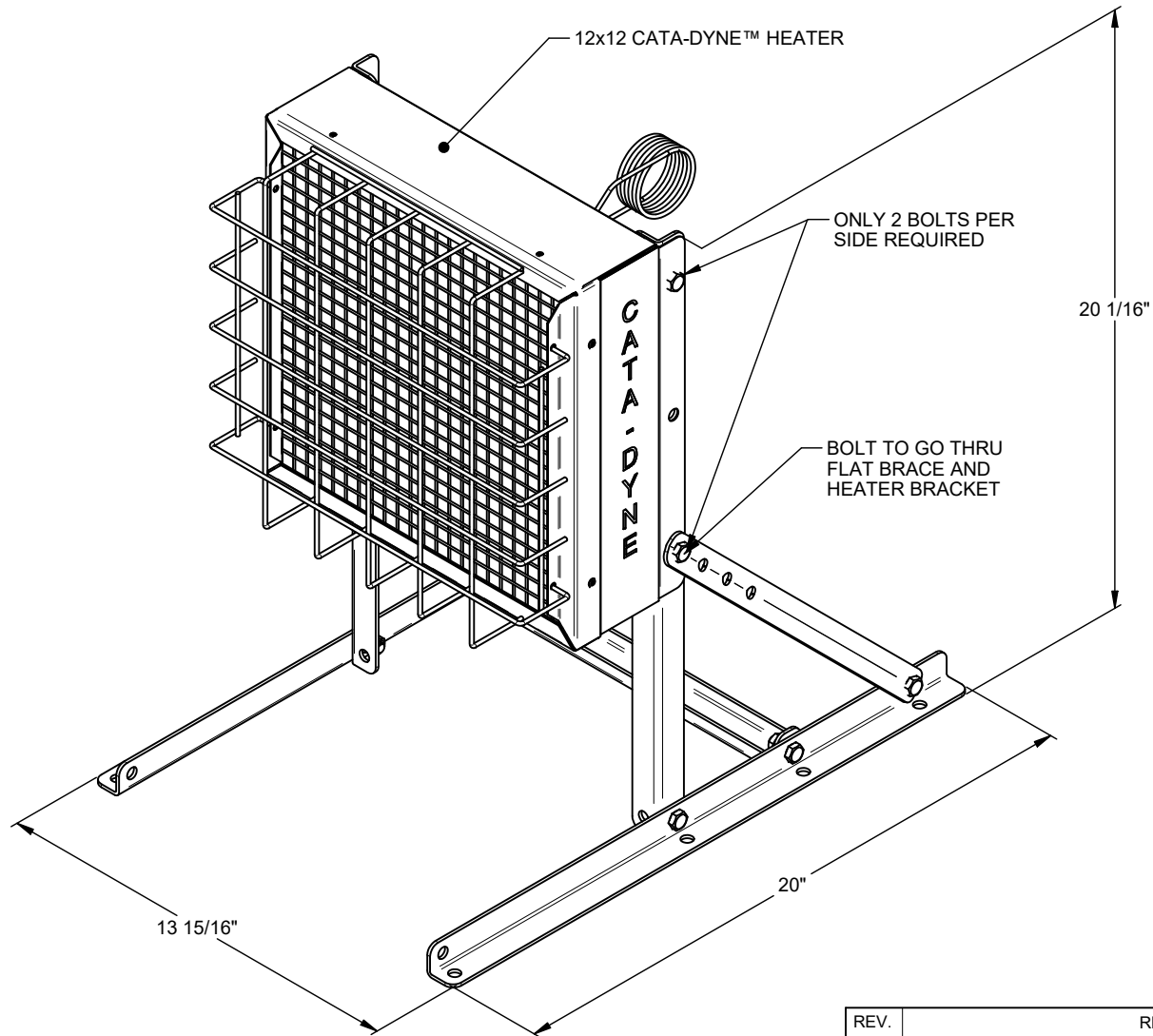
FLOOR STAND TO BE SECURELY FASTENED TO FLOOR


FRONT VIEW

NOTES:

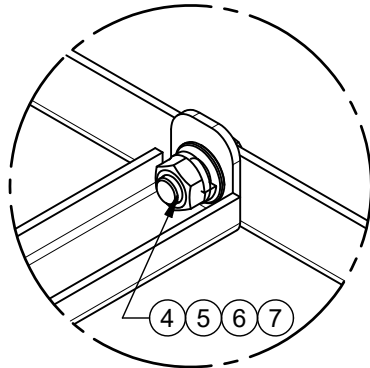
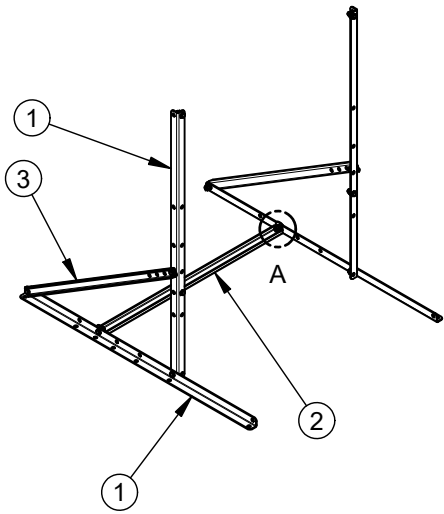
- 1) ASSEMBLY REQUIRED.
- 2) ITEM #3 IS EITHER 12" OR 24" LONG DEPENDING ON HEATER ORDERED. *NOT USED FOR HEATERS UNDER 12" WIDE*
- 3) ALL DIMENSIONS IN INCHES.

REV.	REVISION DESCRIPTION	DATE	BY												
TITLE: ASSEMBLY, SMALL FLOOR STAND															
DWG NO.: 01-04-0055 SHEET: 1 OF 8															
SYTLINE NO.: TBD															
SCALE: NTS															
DRN BY: damyotte		07 Mar 2005													
CHK'D BY: NJS															
APP'D. BY: MAN															
<table border="1"> <thead> <tr> <th colspan="4">TOLERANCE UNLESS NOTED OTHERWISE</th> </tr> <tr> <th>± 1/2°</th> <th>± 0.005"</th> <th>± 1/16"</th> <th>± mm</th> </tr> <tr> <th>ANGULAR</th> <th>DECIMAL</th> <th>FRACTIONAL</th> <th>METRIC</th> </tr> </thead> </table>				TOLERANCE UNLESS NOTED OTHERWISE				± 1/2°	± 0.005"	± 1/16"	± mm	ANGULAR	DECIMAL	FRACTIONAL	METRIC
TOLERANCE UNLESS NOTED OTHERWISE															
± 1/2°	± 0.005"	± 1/16"	± mm												
ANGULAR	DECIMAL	FRACTIONAL	METRIC												

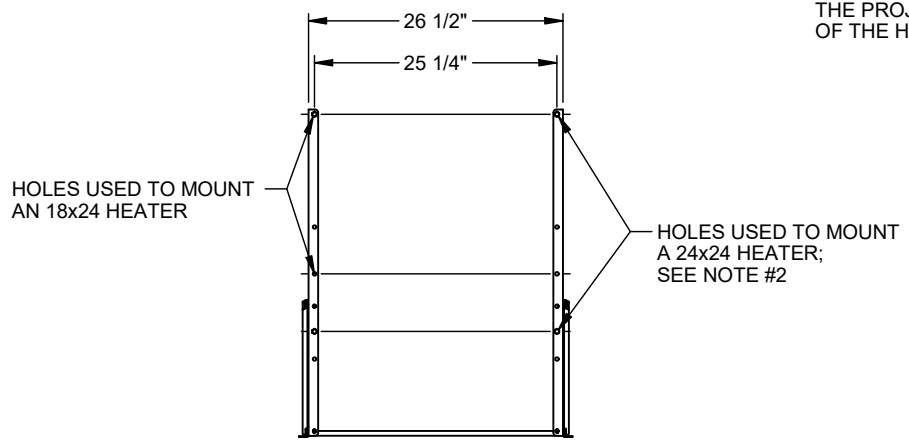


REV.	REVISION DESCRIPTION	DATE	BY
TITLE: 12x12 Mounting Configuration			
DWG NO.: 01-04-0055 SHEET: 6 OF 8			
SYTLINE NO.: TBD			
SCALE: NTS			
DRN BY: damyotte		07 Mar 2005	
CHK'D BY: NJS			
APP'D. BY: MAN			
TOLERANCE UNLESS NOTED OTHERWISE			
± 1/2°	± 0.005"	± 1/16"	± mm
ANGULAR	DECIMAL	FRACTIONAL	METRIC
			

NO	DESCRIPTION	QTY
1	34" HORI. & VERT. LARGE FLOOR STAND ANGLE BRACKET	4
2	26 1/2" C SHAPED LARGE FLOOR STAND CROSS BRACE	1
3	26" LARGE FLOOR STAND SUPPORT BRACKET	2
4	BOLT 5/16-18UNC x 3/4LONG, HEXAGON HEAD	12
5	WASHER 5/16 S.A.E. PLATED	12
6	WASHER 5/16" SPLIT LOCK, PLATED	12
7	NUT 5/16-18 UNC HEXAGONAL	12

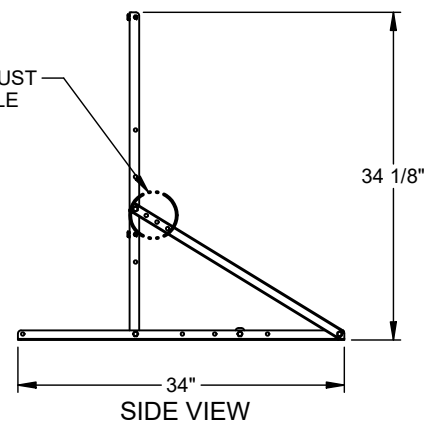


DETAIL A



FRONT VIEW

HOLES PERMIT TO ADJUST THE PROJECTION ANGLE OF THE HEATER

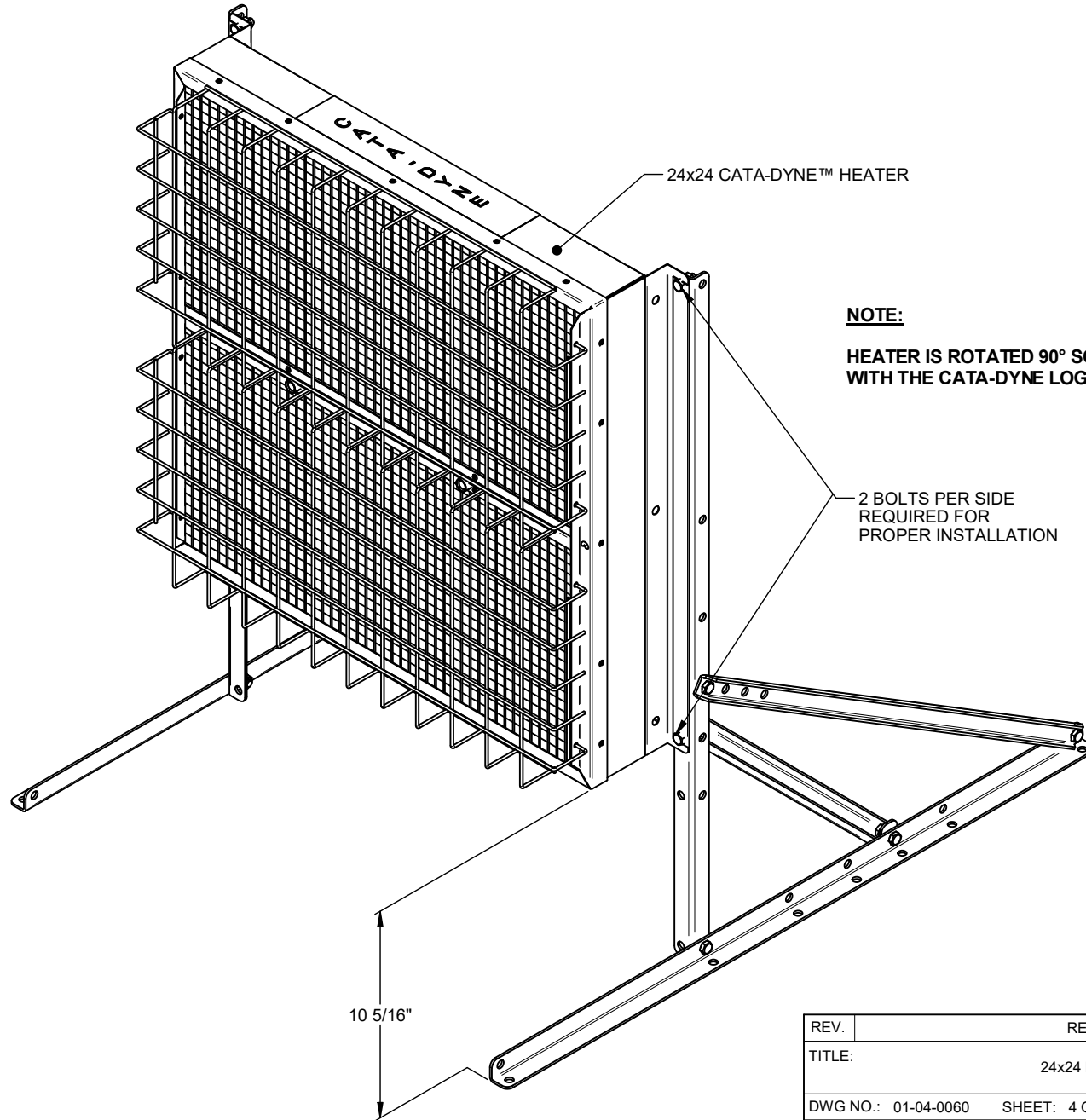


SIDE VIEW

NOTES:

- 1) ASSEMBLY REQUIRED.
- 2) 24x24 HEATER IS TO BE MOUNTED SO THAT THE SIDE OF THE HEATER (CATA-DYNE™ LOGO) IS FACING UP.
- 3) ALL DIMENSIONS IN INCHES.

REV.	REVISION DESCRIPTION	DATE	BY
TITLE:			
DWG NO.: 01-04-0060	SHEET: 1 OF 4	TOLERANCE UNLESS NOTED OTHERWISE	
SYTELIN NO.: TBD		± 1/2° ANGULAR	± 0.005" DECIMAL
SCALE: NTS		± 1/16" FRACTIONAL	± mm METRIC
DRN BY: nsanchez	08 Mar 2005		
CHK'D BY: NJS			
APP'D. BY: MAN			



NOTE:

HEATER IS ROTATED 90° SO THAT THE SIDE WITH THE CATA-DYNE LOGO IS FACING UP

2 BOLTS PER SIDE REQUIRED FOR PROPER INSTALLATION

10 5/16"

REV.	REVISION DESCRIPTION			DATE	BY
TITLE: 24x24 Mounting Configuration					
TOLERANCE UNLESS NOTED OTHERWISE					
DWG NO.: 01-04-0060		SHEET: 4 OF 4		± 1/2°	± 0.005"
SYTLINE NO.: TBD		ANGULAR	DECIMAL	± 1/16"	± mm
SCALE: NTS					
DRN BY: nsanchez		08 Mar 2005			
CHK'D BY: NJS					
APP'D. BY: MAN					

