

**NOTES:**

- 1) MATERIAL: COIL - TUBE,  $\varnothing 1/2"$  x 0.049" W.T. 304 STAINLESS STEEL, SMLS  
 GAS TRAIN -  $\varnothing 3/8"$  x 0.049" W.T. 304 STAINLESS STEEL, SMLS  
 COVERS - 20 GA. 304 STAINLESS STEEL  
 ENCL. BRACKETS - 3/16" STEEL
- 2) NATURAL GAS AND PROPANE CATALYTIC HEATERS ARE SUITABLE FOR CLASS 1, DIV. 2, GROUP D HAZARDOUS LOCATIONS. TEMPERATURE T2C.
- 4) MLH ASSEMBLY BUILT IN COMPLIANCE TO CSA B149.1 LATEST EDITION.
- 5) ALL DIMENSIONS IN INCHES.

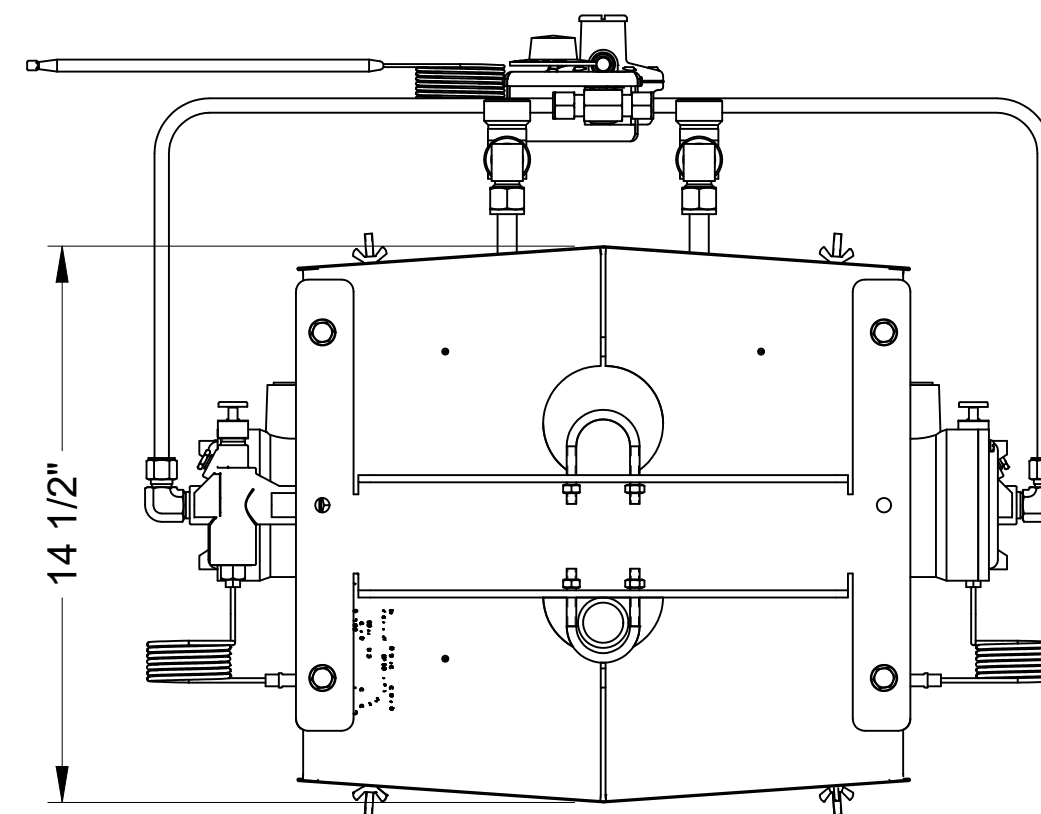
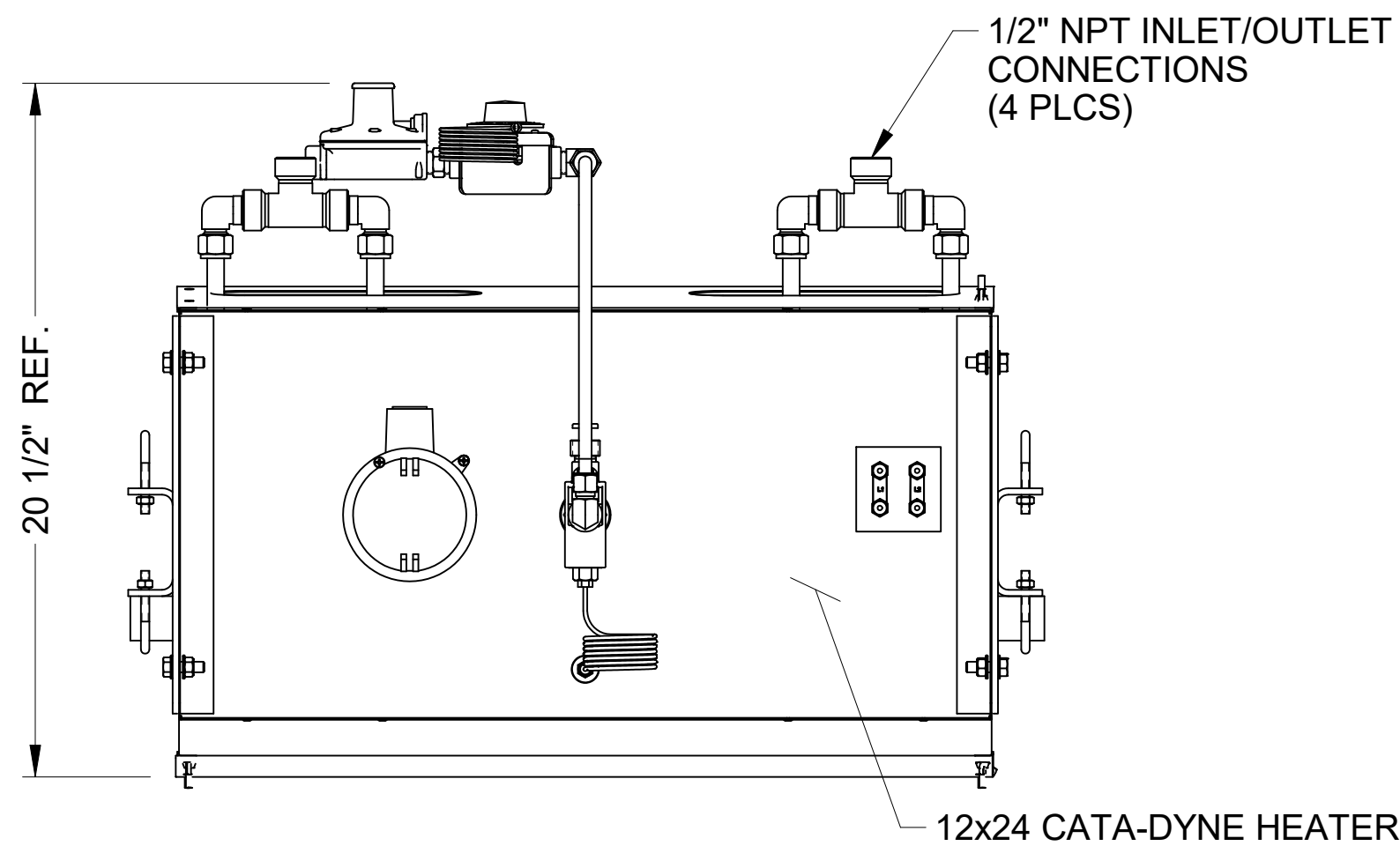
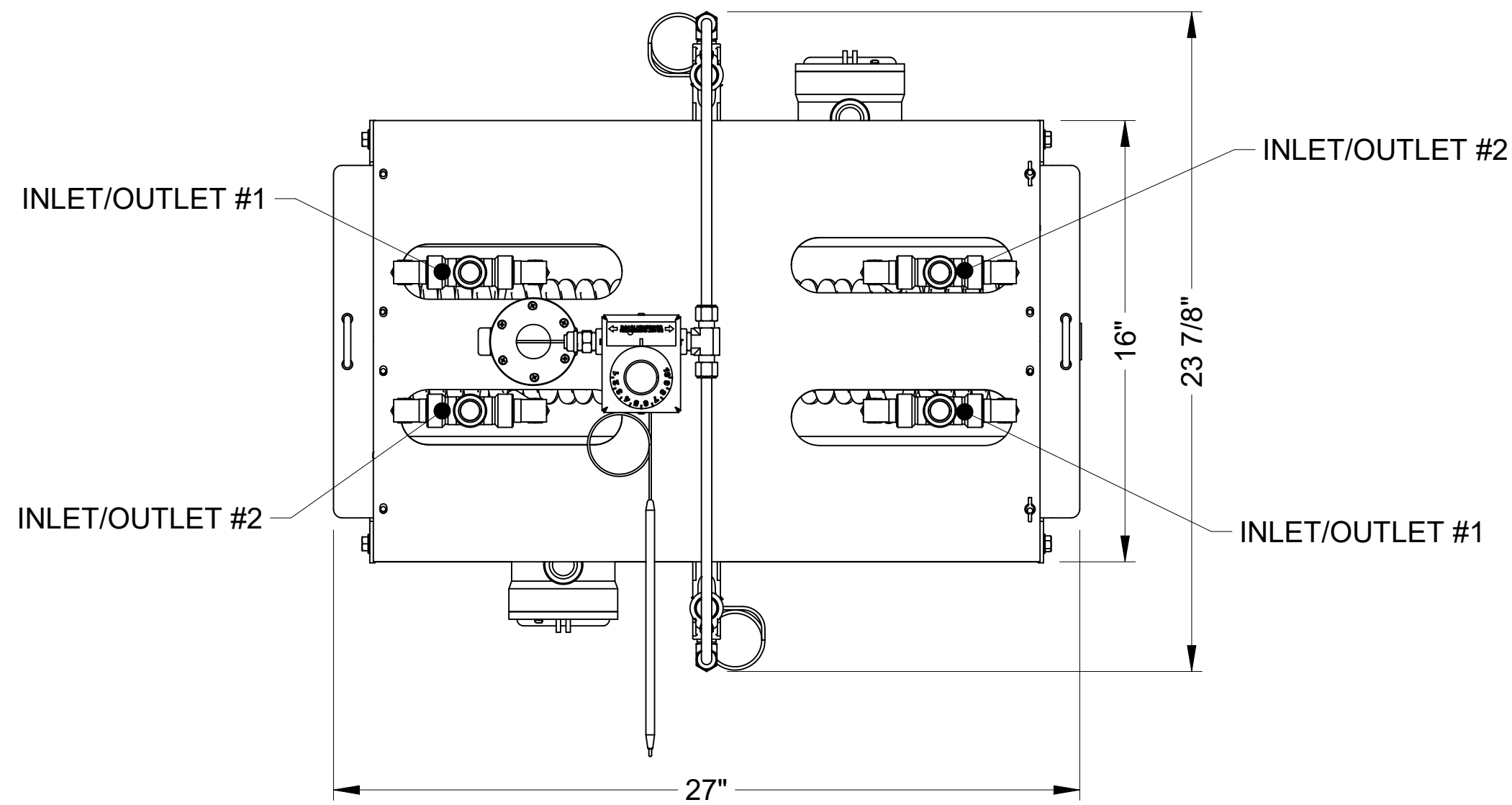
DESIGN CONDITIONS	
CRITERIA	COIL
MAWP	2000 PSIG [13789 kPaG]
DESIGN TEMPERATURE	600°F [315°C]
MINIMUM DESIGN TEMP	-20°F [-29°C] @ 2000 PSIG
ASSEMBLY HYDROTEST PRESSURE	3000 PSIG [20684 kPaG]

REV.	REVISION DESCRIPTION	DATE	BY
TITLE: CATA-DYNE 6x24 MLH APPROVAL DRAWING			
DWG NO.: 02-01-0127 SHEET: 1		TOLERANCE UNLESS NOTED OTHERWISE	
SYTELIN NO.:		± 1/2° ANGULAR	± 0.005" DECIMAL
SCALE: 1:10		± 1/16" FRACTIONAL	± mm METRIC
DRN BY: nsanchez		12 Jun 2014	
CHK'D BY:			
APP'D. BY:			



**NOTES:**

- 1) MATERIAL: COIL - TUBE, Ø1/2" x 0.083" W.T. 304 STAINLESS STEEL, SMLS  
 GAS TRAIN - Ø3/8" x 0.035" W.T. 304 STAINLESS STEEL, SMLS  
 COVERS - 20 GA. 304 STAINLESS STEEL  
 ENCL. BRACKETS - 3/16" STEEL
- 2) NATURAL GAS AND PROPANE CATALYTIC HEATERS ARE SUITABLE FOR CLASS 1, DIV. 2, GROUP D HAZARDOUS LOCATIONS. TEMPERATURE T2C.
- 3) ALL DIMENSIONS IN INCHES.

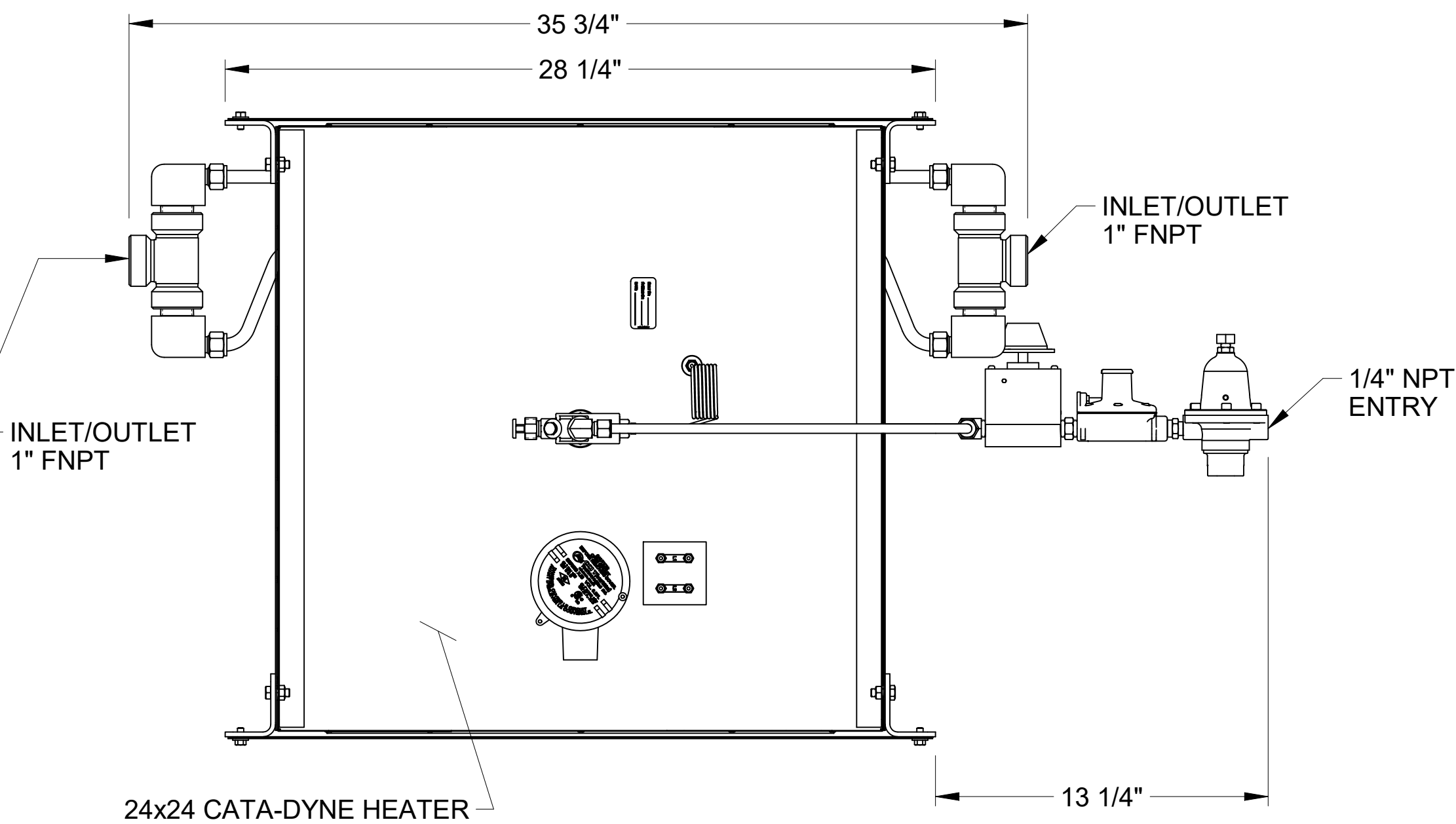
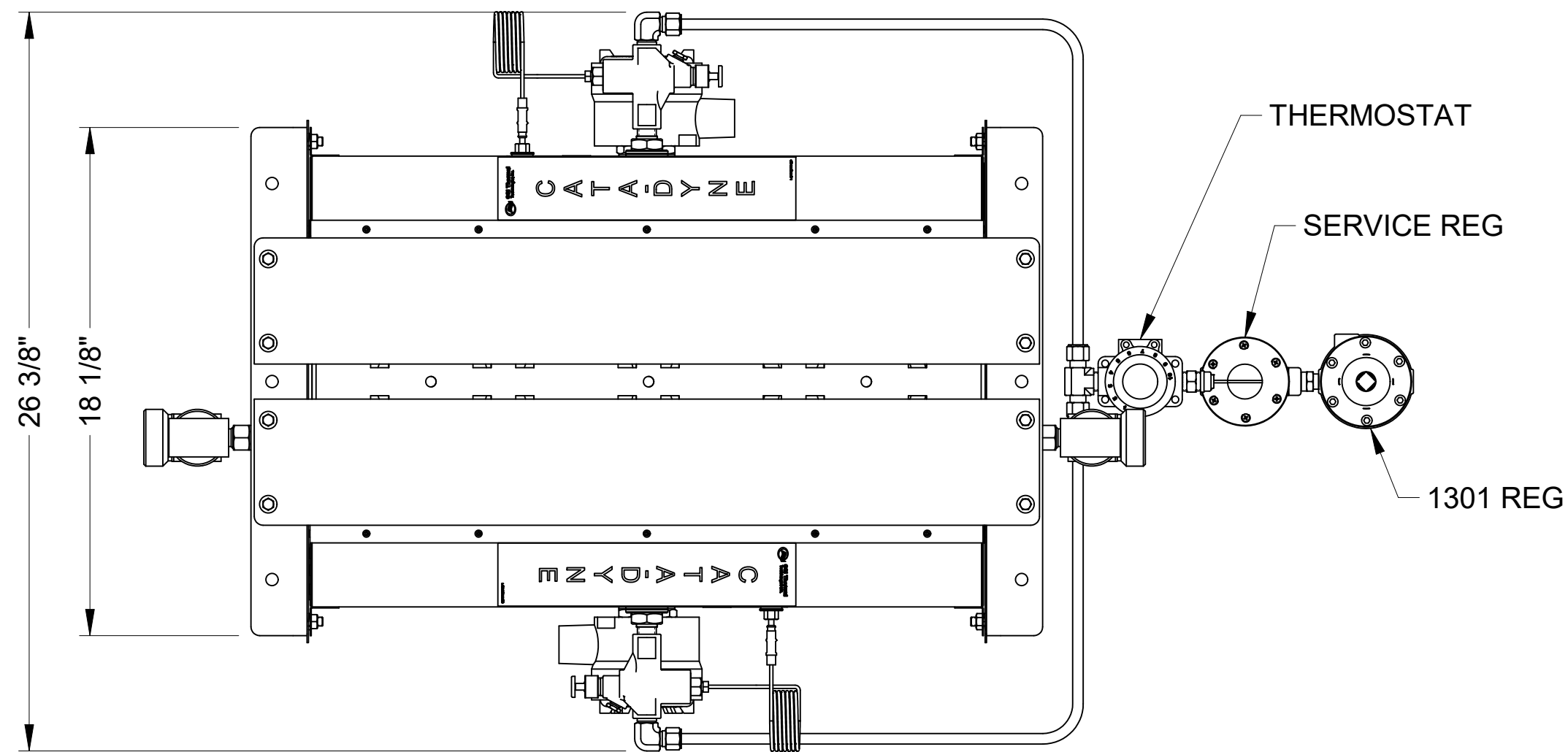


DESIGN CONDITIONS	
CRITERIA	COIL
MAWP	2000 PSIG [13789 kPaG]
DESIGN TEMPERATURE	600°F [315°C]
MINIMUM DESIGN TEMP	-20°F [-29°C] @ 2000 PSIG
ASSEMBLY HYDROTEST PRESSURE	3000 PSIG [20684 kPaG]

REV.	REVISION DESCRIPTION	DATE	BY
TITLE: APPROVAL DRAWING - 12x24 MLH TWO STAGE FLOW			
DWG NO.: 02-01-0180 SHEET: 1		TOLERANCE UNLESS NOTED OTHERWISE	
SYTELINE NO.: SEE TABLE		± 1/2° ANGULAR	± 0.005" DECIMAL
SCALE: 1:5		± 1/16" FRACTIONAL	± 1 mm METRIC
DRN BY: nsanchez		29 Apr 2016	
CHK'D BY:			
APP'D. BY:			

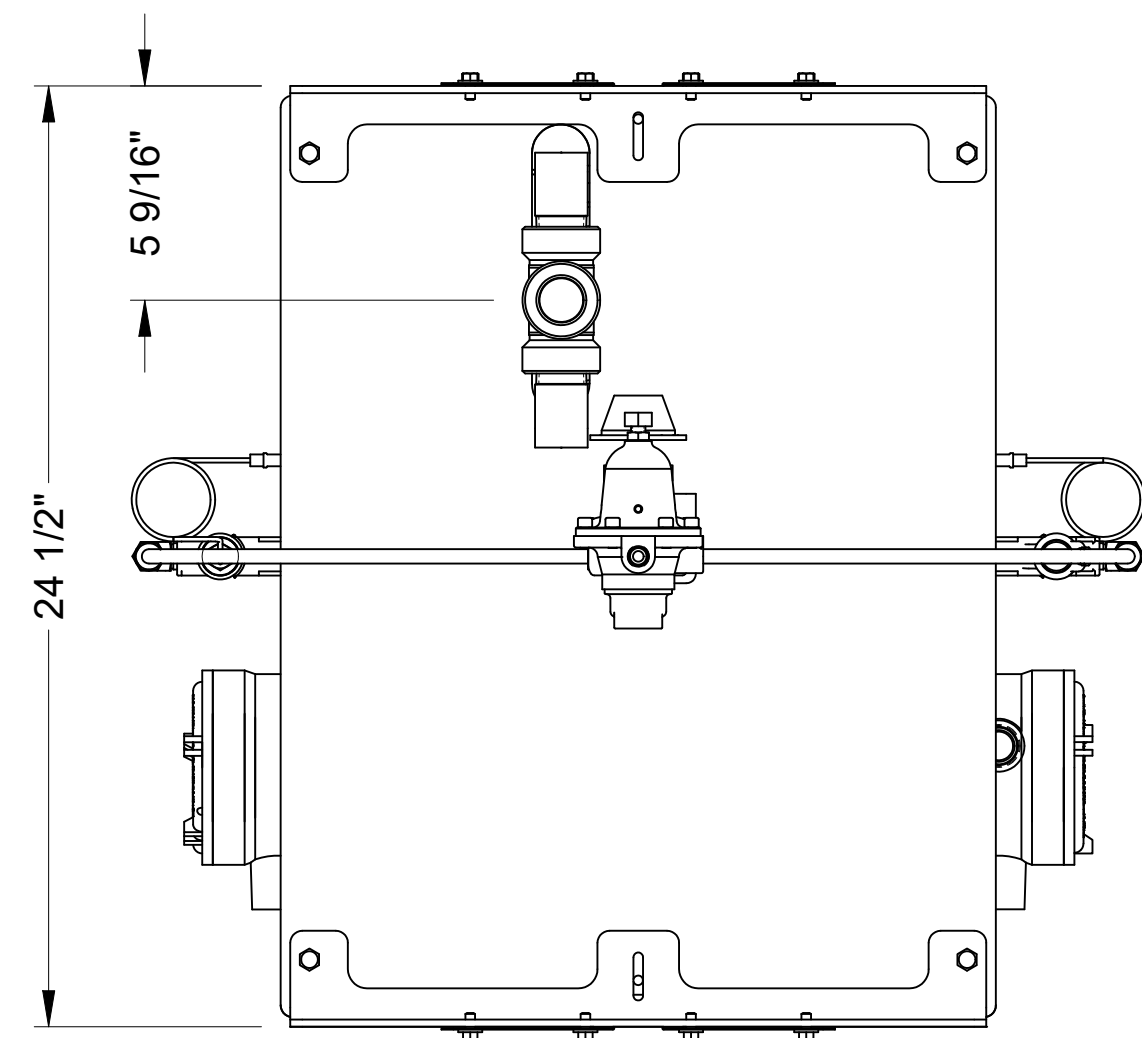


MLH-2H1224-214421-B1T-01	H1224-214421	120V	4.2A	NAT GAS	4.5	AC-TC-8000-7	N/A	AC-R-2545
PART NO.	HEATER MOD.	VOLTS	AMPS	FUEL	PRESS.(W.C.)	THERMOSTAT	APPLIANCE REGULATOR	SERVICE REGULATOR
		ELECTRICAL START-UP		GAS INPUT				



**NOTES:**

- 1) MATERIAL: COIL - TUBE, Ø1/2" x 0.049" W.T. 304 STAINLESS STEEL, SMLS  
 GAS TRAIN - Ø3/8" x 0.049" W.T. 304 STAINLESS STEEL, SMLS  
 COVERS - 20 GA. 304 STAINLESS STEEL  
 ENCL. BRACKETS - 3/16" STEEL
- 2) NATURAL GAS AND PROPANE CATALYTIC HEATERS ARE SUITABLE FOR CLASS 1, DIV. 2, GROUP D HAZARDOUS LOCATIONS. TEMPERATURE T2C.
- 3) ALL DIMENSIONS IN INCHES.



DESIGN CONDITIONS	
CRITERIA	COIL
MAWP	2000 PSIG [13789 kPaG]
DESIGN TEMPERATURE	600°F [315°C]
MINIMUM DESIGN TEMP	-20°F [-29°C] @ 2000 PSIG
ASSEMBLY HYDROTEST PRESSURE	3000 PSIG [20684 kPaG]

REV.	REVISION DESCRIPTION	DATE	BY
TITLE: CATA-DYNE 24x24 MLH APPROVAL DRAWING			
DWG NO.: 02-01-0154 SHEET: 1		TOLERANCE UNLESS NOTED OTHERWISE	
SYTELINE NO.:		± 1/2° ANGULAR	± 0.005" DECIMAL
SCALE: 1:5		± 1/16" FRACTIONAL	± 1 mm METRIC
DRN BY: nsanchez	12 Aug 2015		
CHK'D BY:			
APP'D. BY:			