

SCALE
1:10

NOTES:

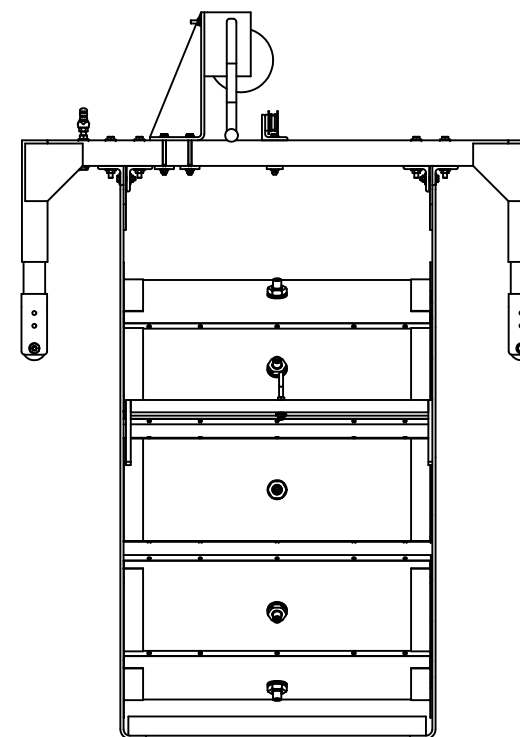
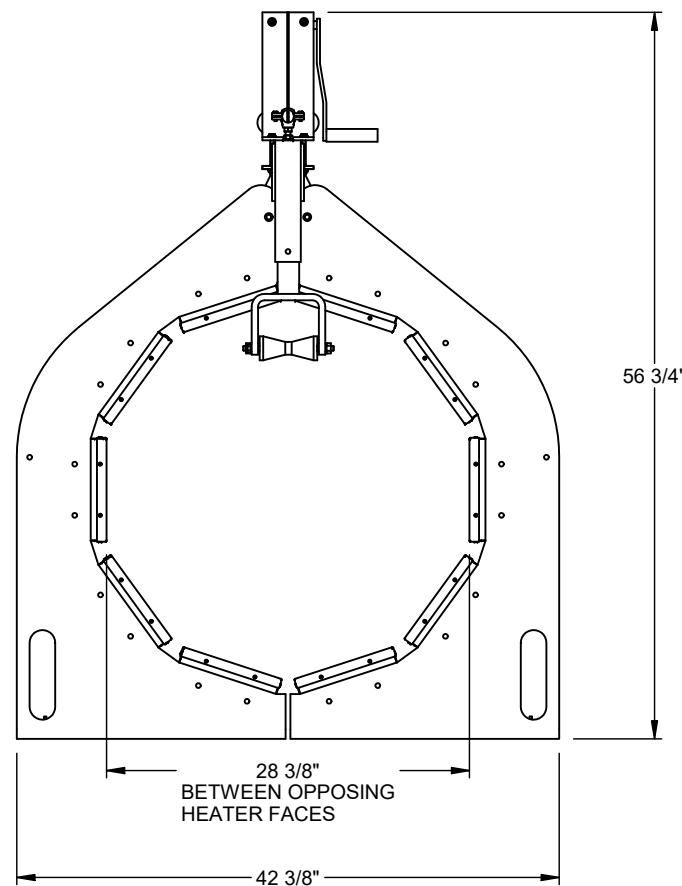
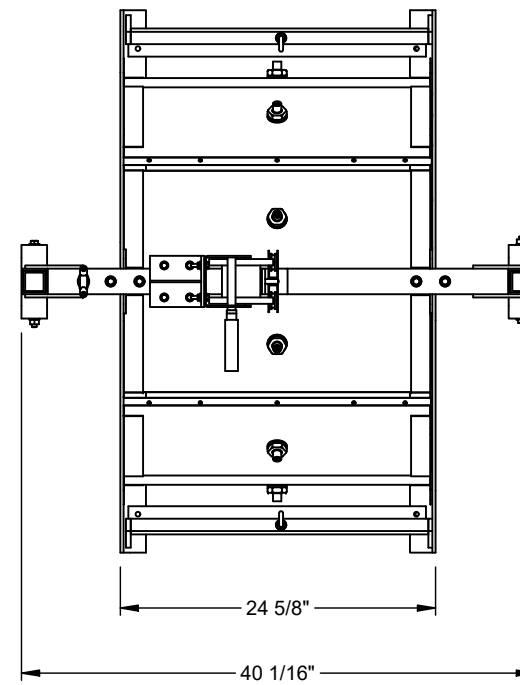
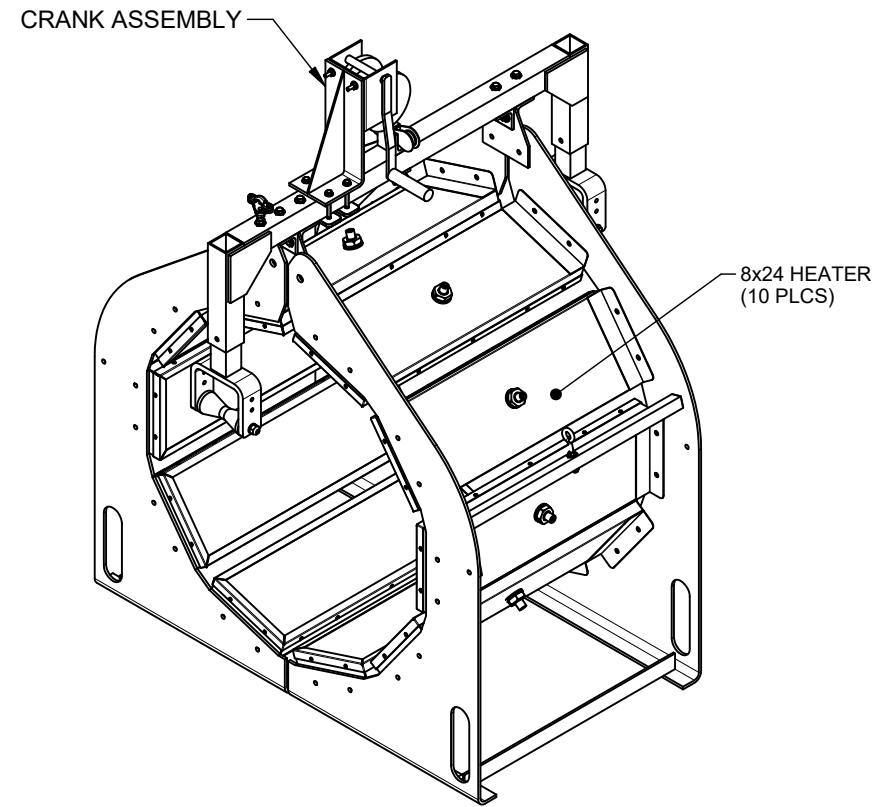
- 1) ALL DIMENSIONS IN INCHES, UNLESS OTHERWISE SPECIFIED.
- 2) INSTALLATION EQUIPMENT REQUIRED: CRANE NOT REQUIRED. CAN BE LIFTED ON PIPE BY TWO OPERATORS.
- 3) CONSUMPTION RATE: 1.85 lbs LPG/ hr
- 4) WORKING FUEL PROPANE
- 5) APPROXIMATE WEIGHT UNPACKAGED: 80 LBS

REV.	REVISION DESCRIPTION	DATE	BY
TITLE: SURESEAL, 2 - 10 NPS, GENERAL ASSEMBLY			
DWG NO.: 08-01-0005 SHEET: 1 OF 2		TOLERANCE UNLESS NOTED OTHERWISE	
SYTLINE NO.: N/A		± 1/2° ANGULAR	± 0.005" DECIMAL
SCALE: AS SHOWN		± 1/16" FRACTIONAL	± 1 mm METRIC
DRN BY: nsanchez		05 Oct 2007	
CHK'D BY:			
APP'D. BY:			



NOTES:

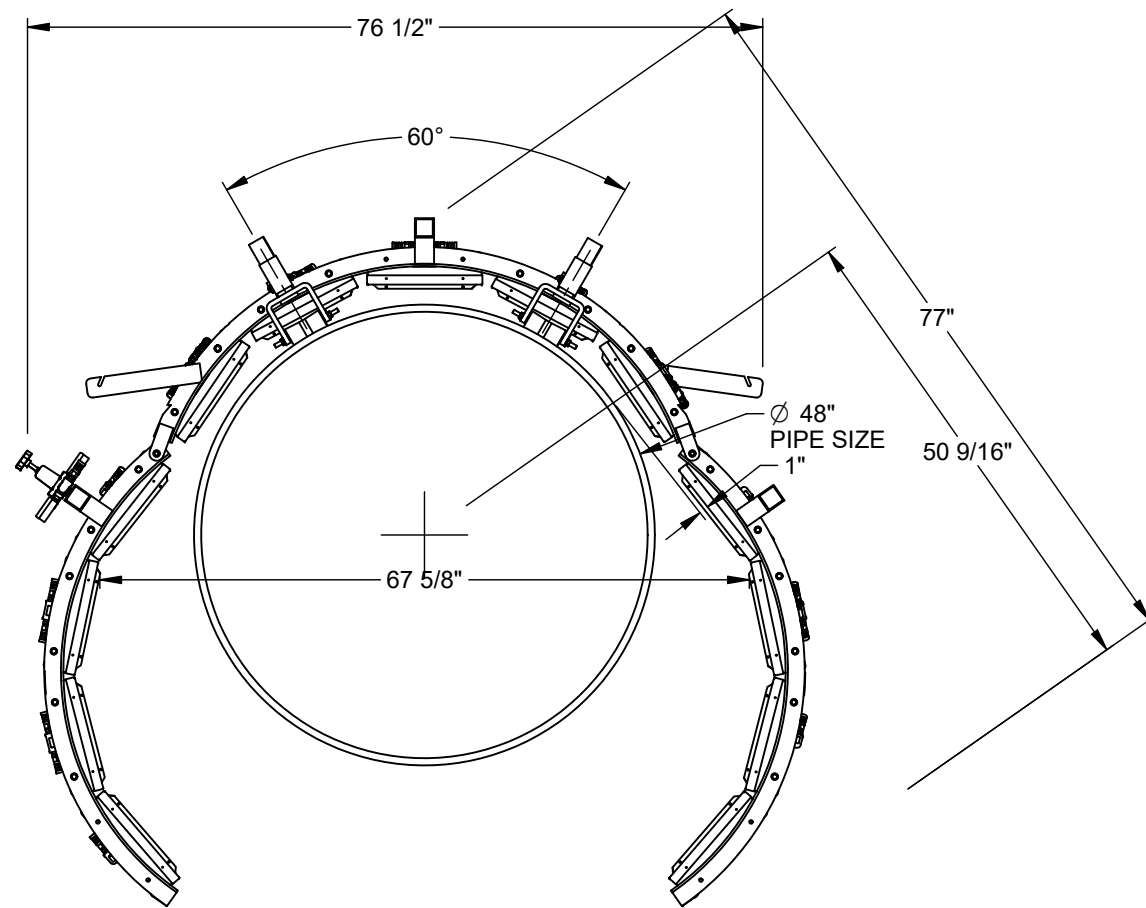
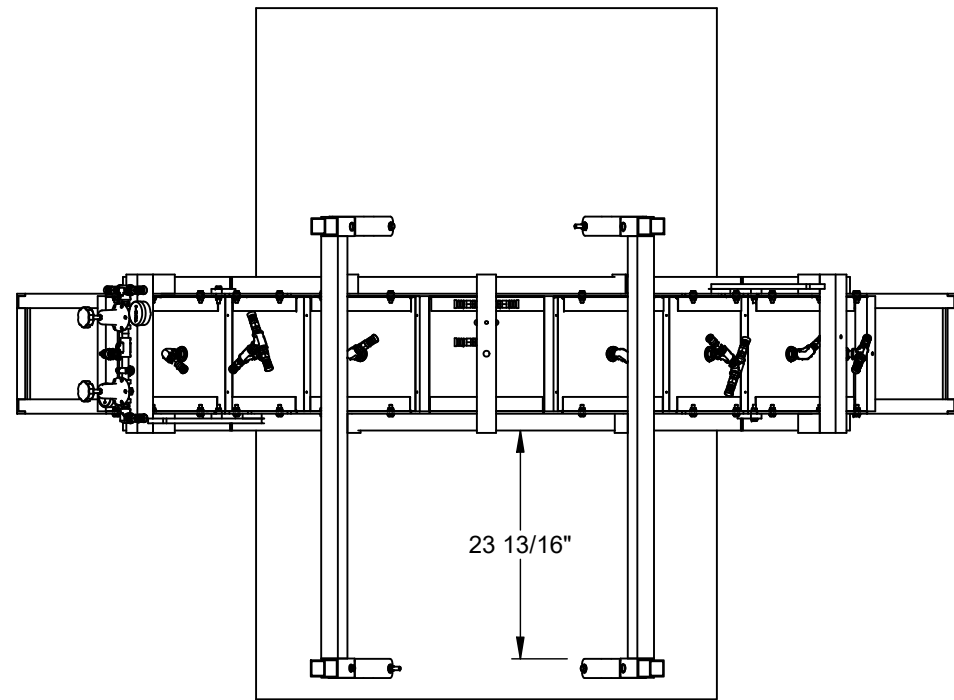
- 1) ALL DIMENSIONS IN INCHES, UNLESS OTHERWISE SPECIFIED.
- 2) INSTALLATION EQUIPMENT REQUIRED: BOOM CRANE NECESSARY TO PLACE OR REMOVE DEVICE.
- 3) CONSUMPTION RATE: 3.1 lbs LPG/ hr
- 4) WORKING FUEL PROPANE
- 5) APPROXIMATE WEIGHT UNPACKAGED: 174 LBS
- 6) UNIT TO HAVE TWO SEPARATE ZONES AS DESCRIBED:
 ZONE #1 - SIX UPPER HEATERS
 ZONE #2 - FOUR LOWEST HEATERS



SCALE
1:15

REV.	REVISION DESCRIPTION	DATE	BY
TITLE: SURESEAL, 18-24 NPS			
DWG NO.: 08-01-0002 SHEET: 1 OF 1		TOLERANCE UNLESS NOTED OTHERWISE	
SYTLINE NO.: N/A		± 1/2° ANGULAR	± 0.005" DECIMAL
SCALE: AS SHOWN		± 1/16" FRACTIONAL	± 1 mm METRIC
DRN BY: nsanchez		12 Jul 2007	
CHK'D BY:			
APP'D. BY:			

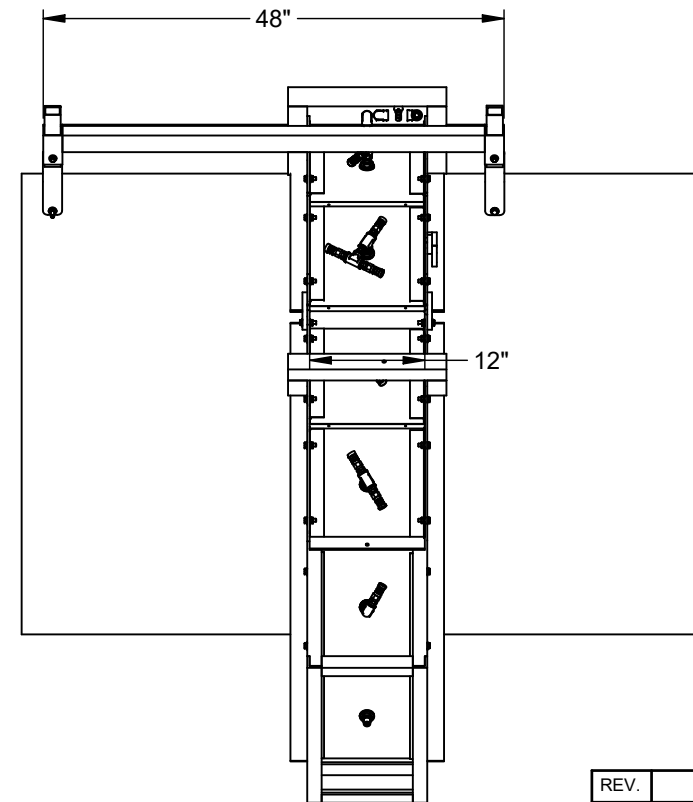




SCALE
1:20

NOTES:

- 1) ALL DIMENSIONS IN INCHES, UNLESS OTHERWISE SPECIFIED.
- 2) INSTALLATION EQUIPMENT REQUIRED: BOOM CRANE REQUIRED TO PLACE OR REMOVE SURESEAL DEVICE.
- 3) CONSUMPTION RATE: 3.0 lbs LPG/ hr
- 4) WORKING FUEL PROPANE
- 5) APPROXIMATE WEIGHT UNPACKAGED: 190 LBS
- 6) HEATERS: 12x12 SURESEAL, PROPANE FUELED G-SERIES CATA-DYNE HEATER.
GAS ZONING: TOP ZONE - SEVEN UPPERMOST HEATER.
BOTTOM ZONE: SIX LOWER HEATERS.



REV.	REVISION DESCRIPTION	DATE	BY
TITLE: SURESEAL, Ø36" - 48" PIPE x 12"			
DWG NO.: 08-01-0006 SHEET:		TOLERANCE UNLESS NOTED OTHERWISE	
SYTLINE NO.: N/A		± 1/2° ANGULAR	± 0.005" DECIMAL
SCALE: AS SHOWN		± 1/16" FRACTIONAL	± 1 mm METRIC
DRN BY: nsanchez		27 Nov 2007	
CHK'D BY:			
APP'D. BY:			

